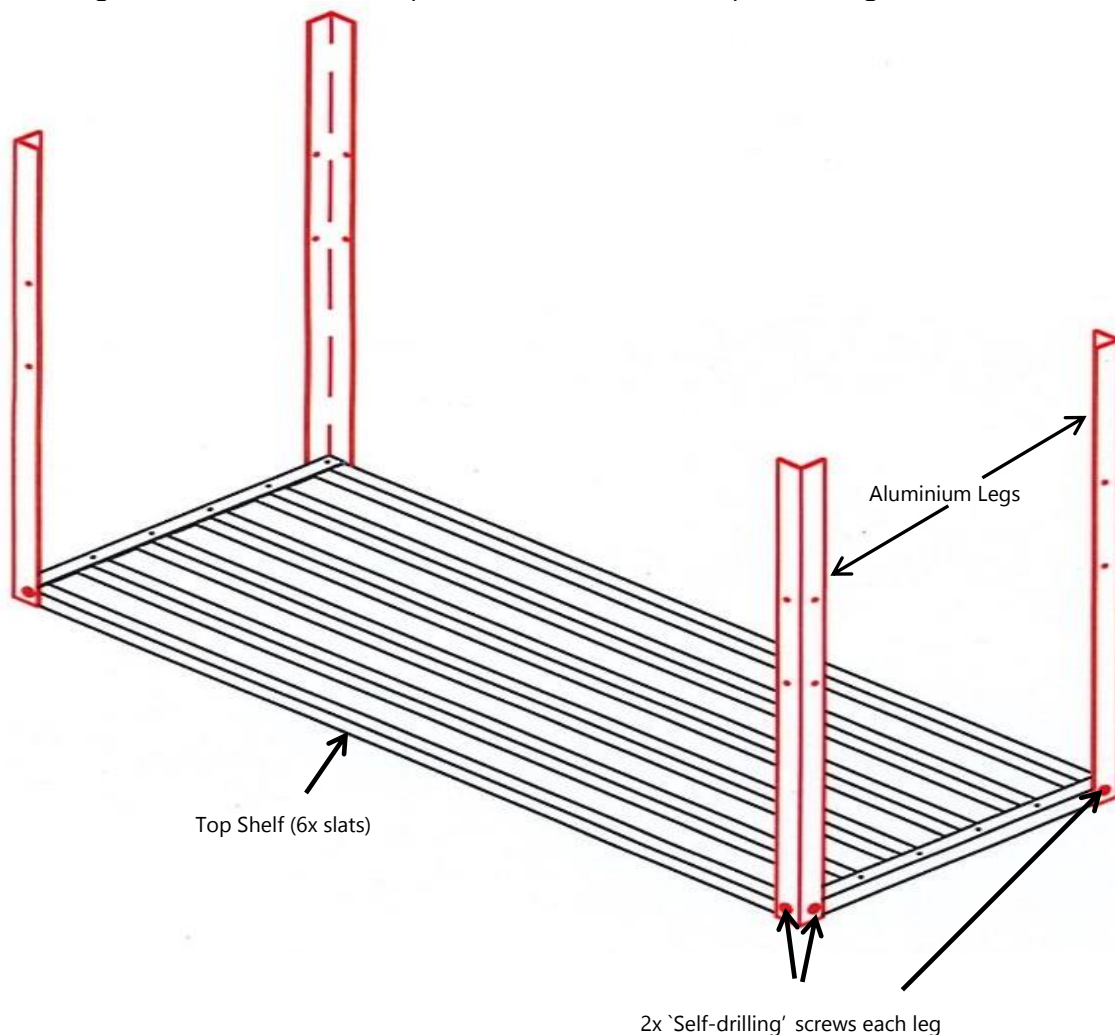


Staging shelf assembly instructions

Description			Quantity	Packed
Top Shelf (6x slats)	Top shelf pre-assembled		1	
Mid shelf (6 slats) (3 tier)	Mid shelf for 3 tier model pre-assembled		1	
Lower Shelf (4x slats)	Lower shelf pre-assembled		1	
Aluminium Legs	30mm x 30mm angle	ALUA3030	4	
'Self-drilling' screws (2 tier)	Hex head Steel tek 10x16mm	SCRSS16H	32	
'Self-drilling' screws (3 tier)	Hex head Steel tek 10x16mm	SCRSS16H	48	
Driver bit	Tek Driver Bit 6mm (1/4")	SCRBH6	1	
Angle Braces	20mm flat bar - 250mm length	ALUF20	8	

Tools required- Electric or Battery drill, Level, Measuring tape. Choose a flat space to assemble

1. Assembly of the aluminium shelf unit assembly begins by making it upside down, followed by turning it onto its ends (see steps 3 and 4)
2. Lay the pre-assembled Top shelf (6x slats) on the ground with its top face downward. Fit the four 30mm x 30mm angle aluminium leg to each corner using two hex head 'Self-drilling' screws as shown in drawing below. (The holes are pre-drilled near to the top of the legs)



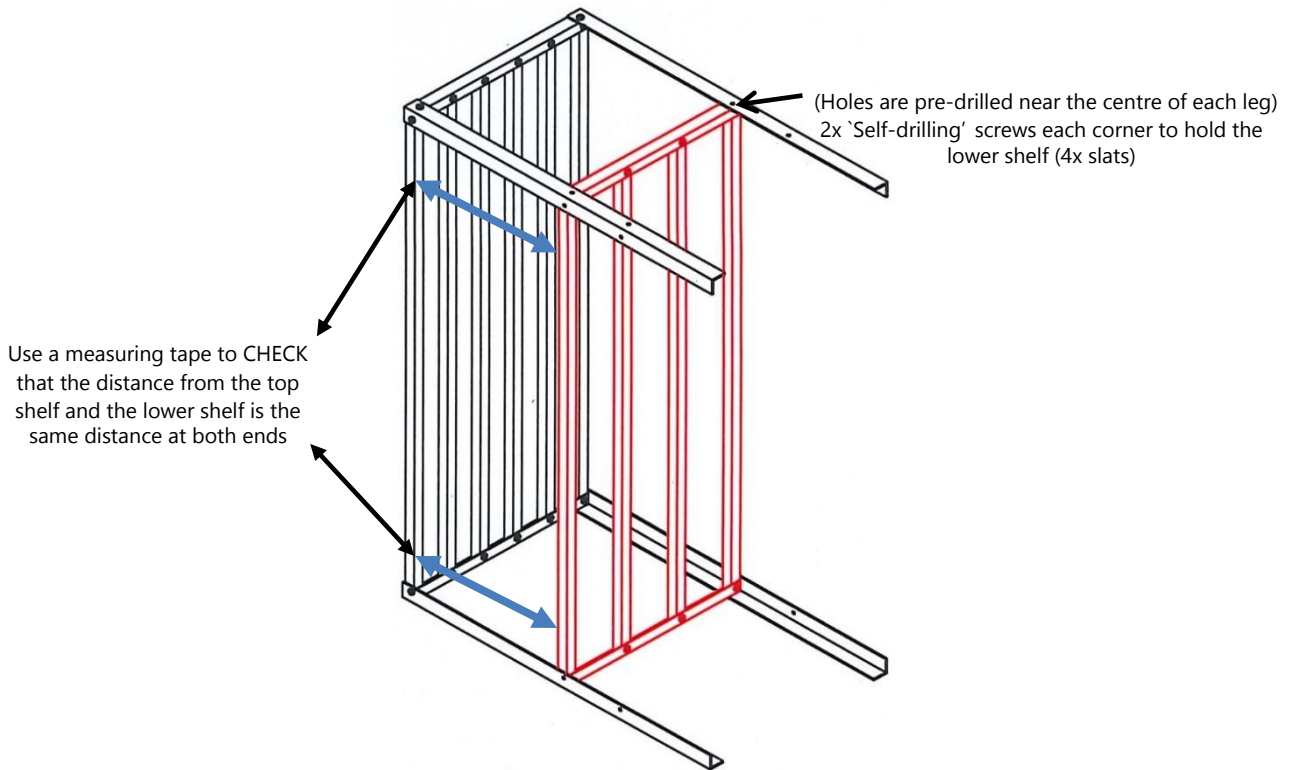
Turn over for next step



WWW.REDPATH.CO.NZ

PH: 0508 733 728

- Turn the unit onto its end as shown below and fit two screws through each of the legs to secure one end of the pre-assembled lower shelf (4x slats).
Turn the shelf onto its other end.
Check that the distance from the top shelf to the lower shelf **is the same** distance at both ends.
Fit two screws through each of the legs to fully secure the pre-assembled lower shelf (4x slats).
Note: For the 3 tier shelf you will have a middle shelf and a lower 4 slat shelf to position.



- Turn the shelf over so that it is standing upright on a level surface. Check that the legs are vertical on the front and side faces. Once you are satisfied that the shelf unit is standing square, fit and screw the 8 x angle braces using the self-drilling screws.

